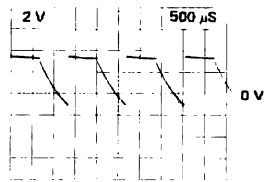
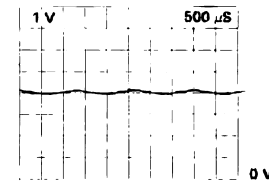


- REFERENCE DIAGRAMS:
- ① VERTICAL PREAMP
 - ② VERTICAL OUTPUT AMPLIFIER
 - ③ TRIGGER GENERATOR
 - ④ SWEEP GENERATOR
 - ⑤ TIMING SWITCH
 - ⑥ HORIZONTAL AMPLIFIER
 - ⑦ POWER REGULATOR & CRT CIRCUIT
 - ⑧ POWER PACK

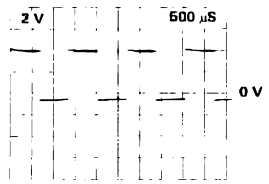
23



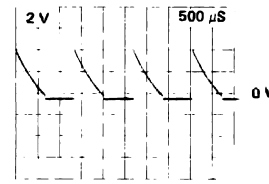
24



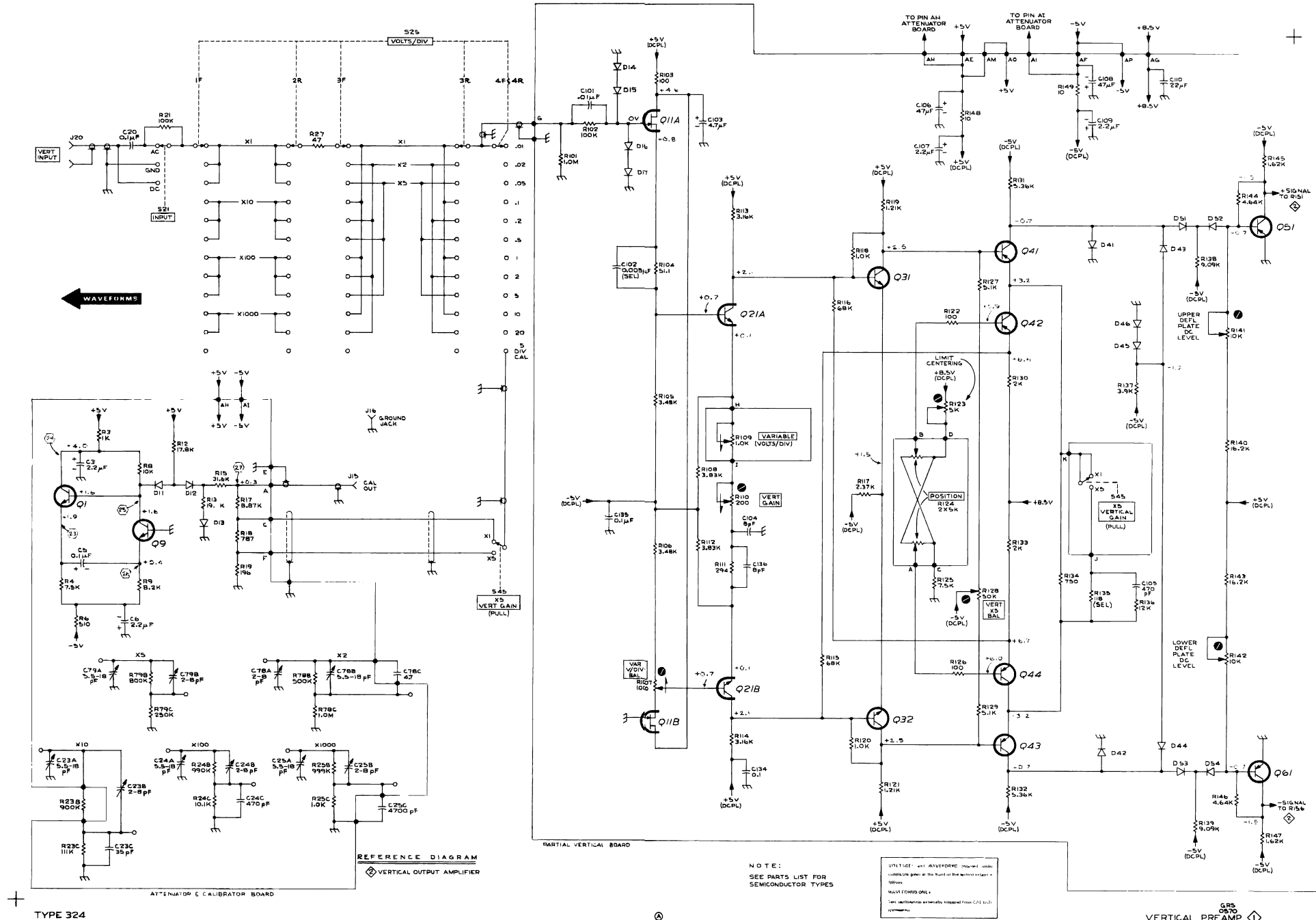
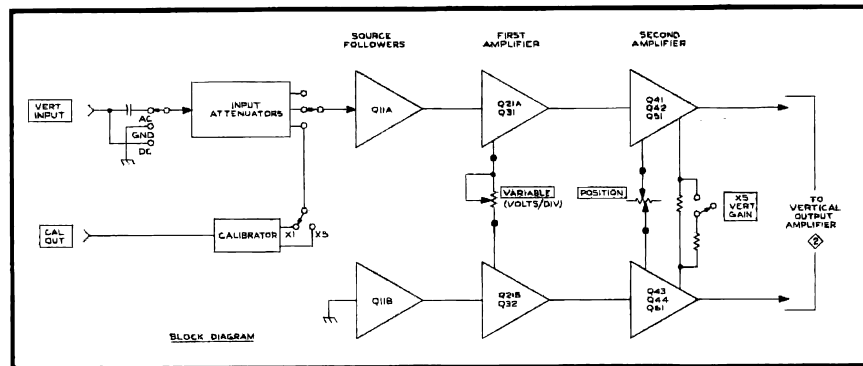
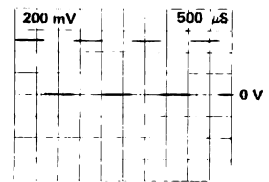
25



26



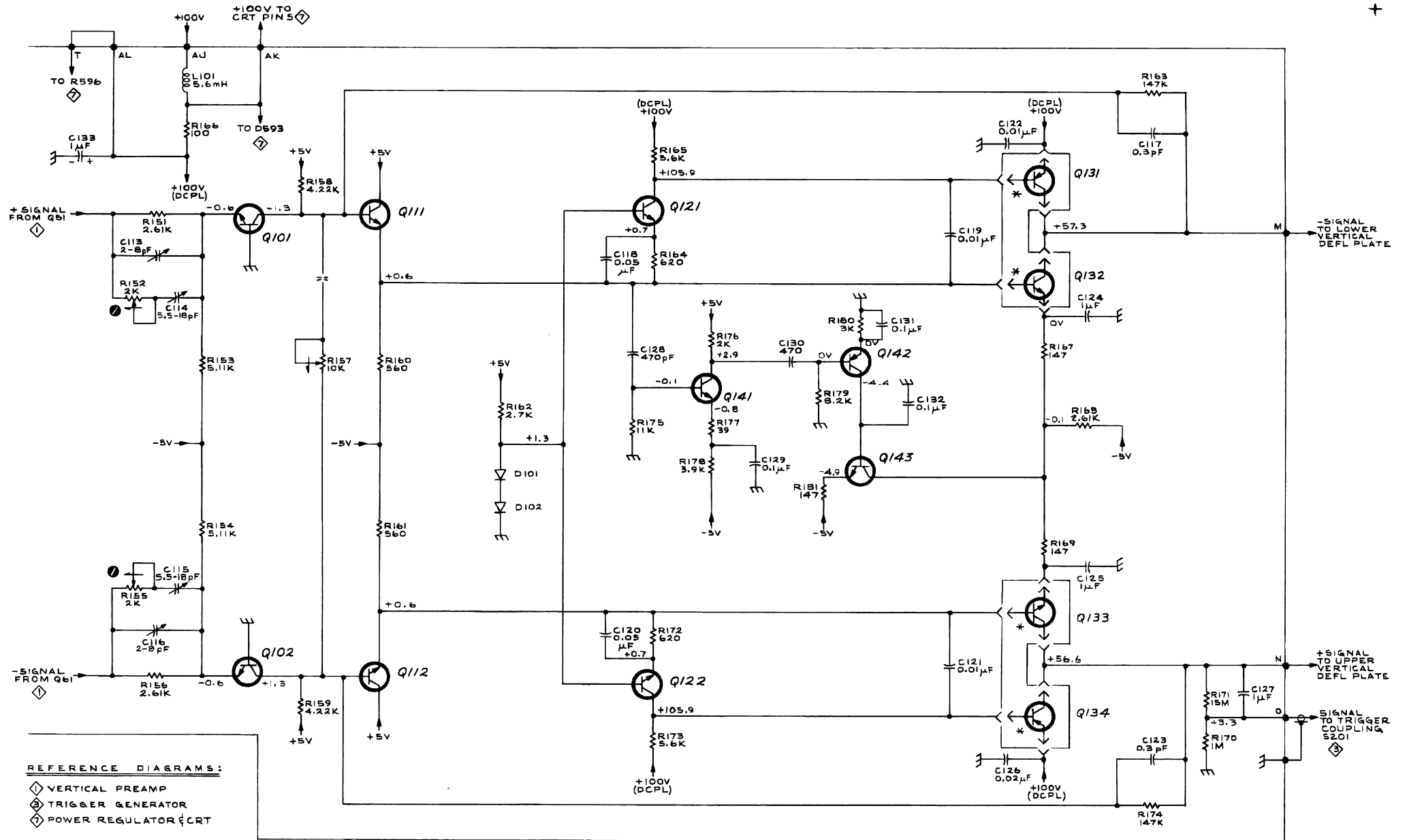
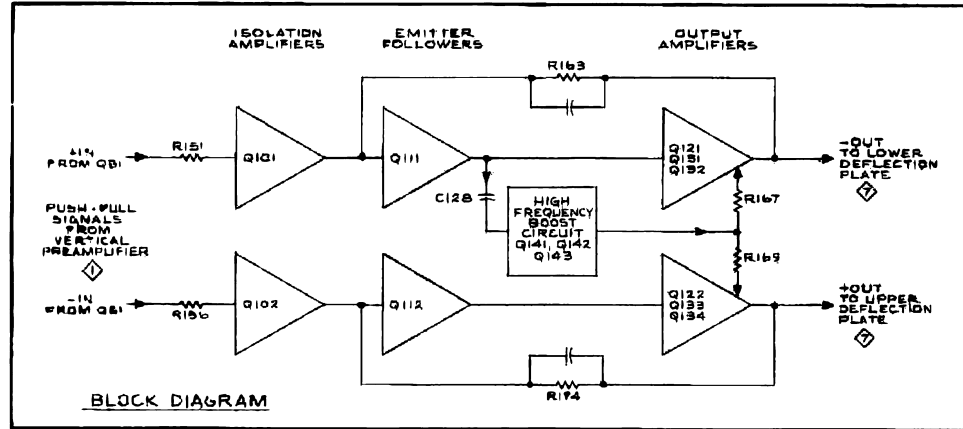
27



TYPE 324

6

655 0570



REFERENCE DIAGRAMS:

- ◇ VERTICAL PREAMP
- ⊕ TRIGGER GENERATOR
- ◇ POWER REGULATOR CRT

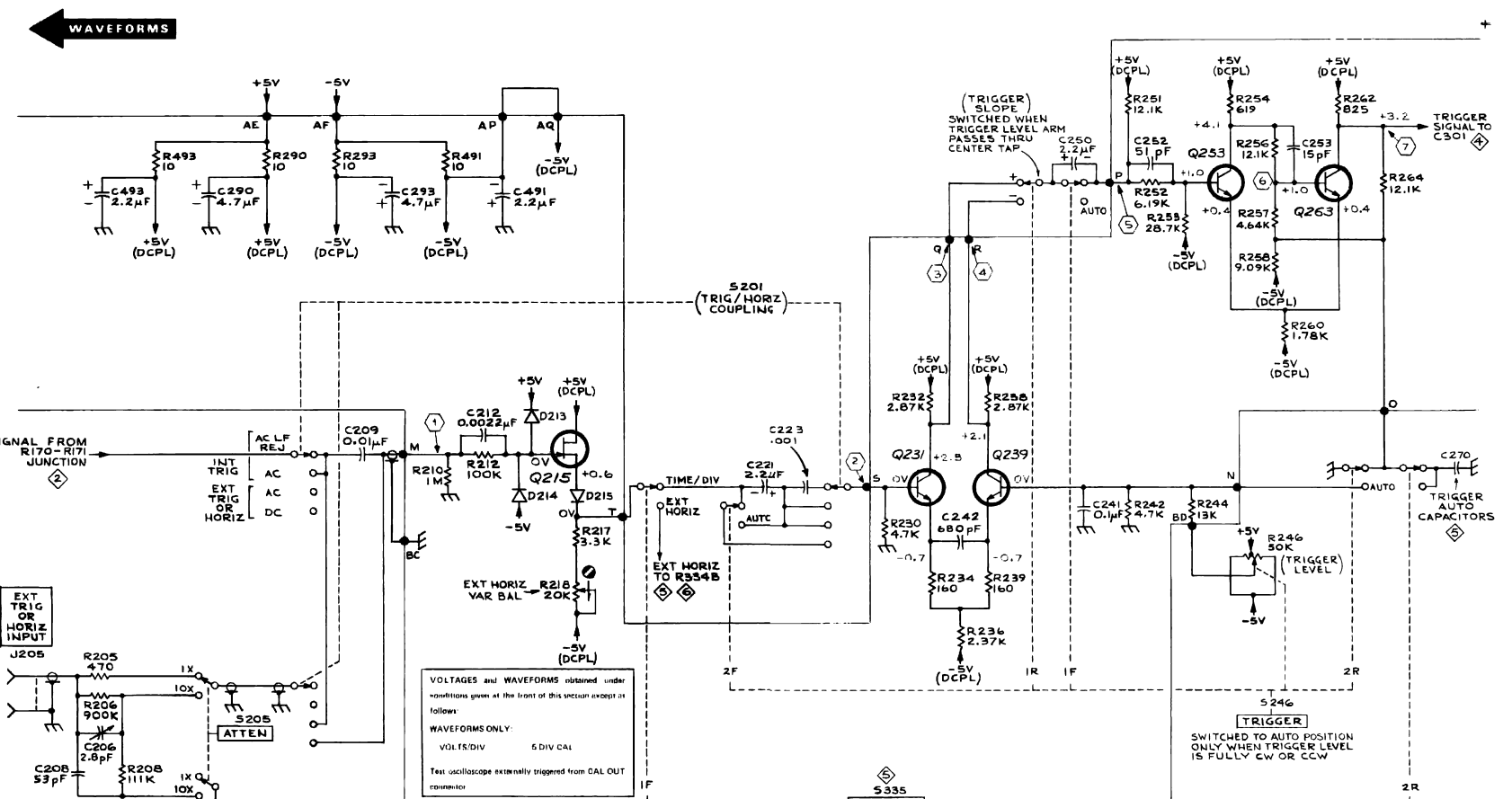
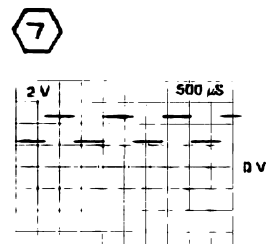
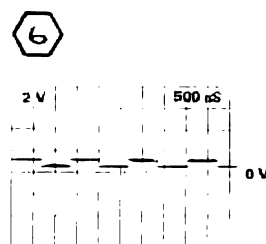
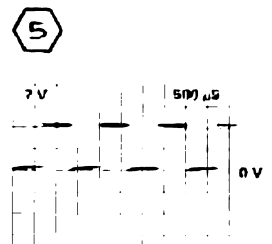
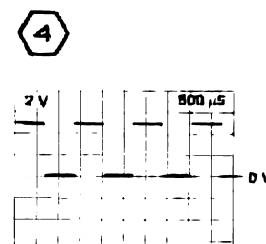
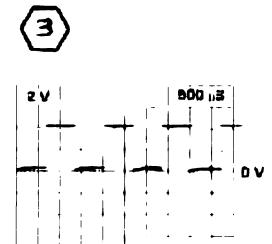
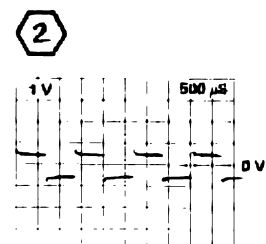
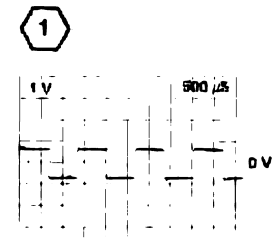
VOLTAGES obtained under conditions given in the front of this section.

- NOTES:**
1. SEE PARTS LIST FOR SEMICONDUCTOR TYPES.
 2. * HEAT SINK

TYPE 324

Ⓐ

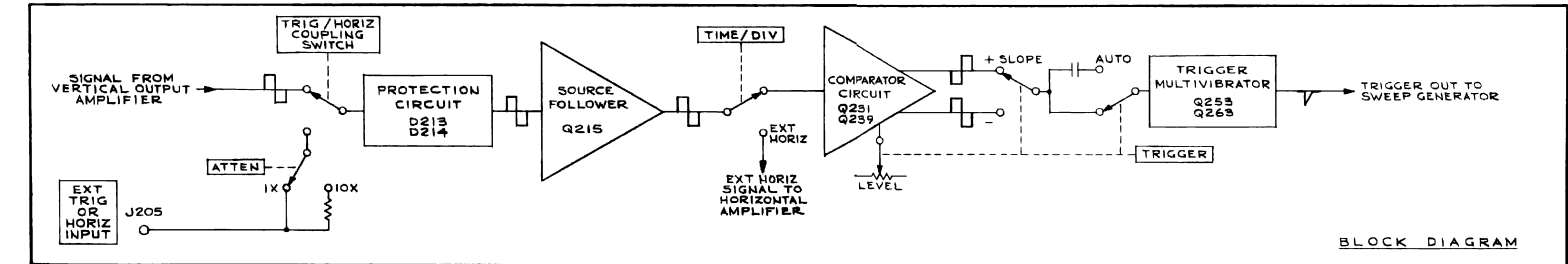
RMG 0570
VERTICAL OUTPUT AMPLIFIER ◇



REFERENCE DIAGRAMS:
 ① VERTICAL OUTPUT AMPLIFIER
 ② SWEEP GENERATOR
 ③ TIMING SWITCH
 ④ HORIZONTAL AMPLIFIER

NOTE:
 SEE PARTS LIST FOR SEMICONDUCTOR TYPES.

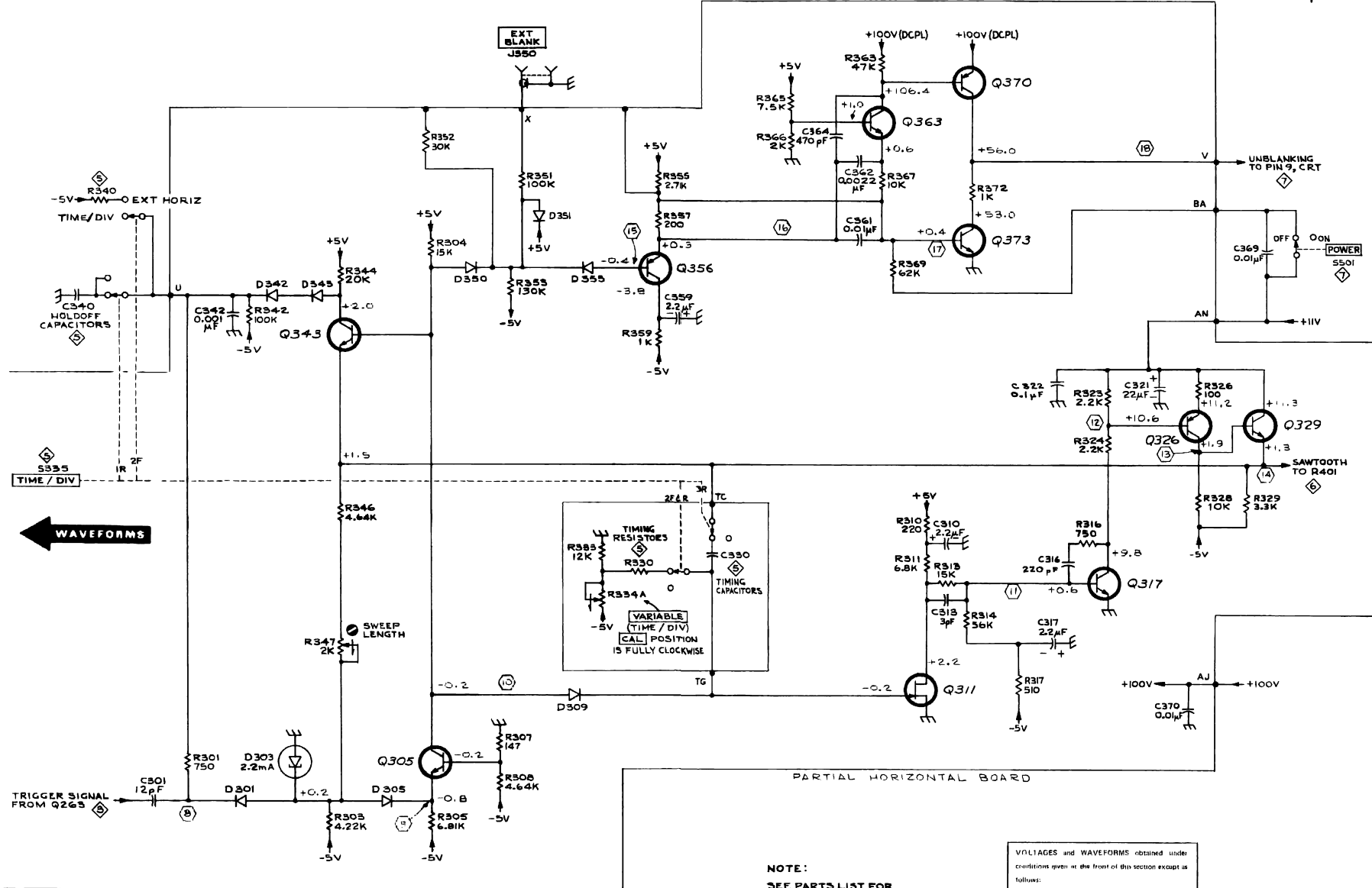
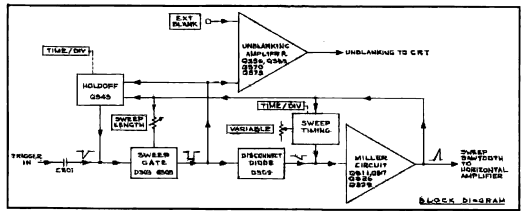
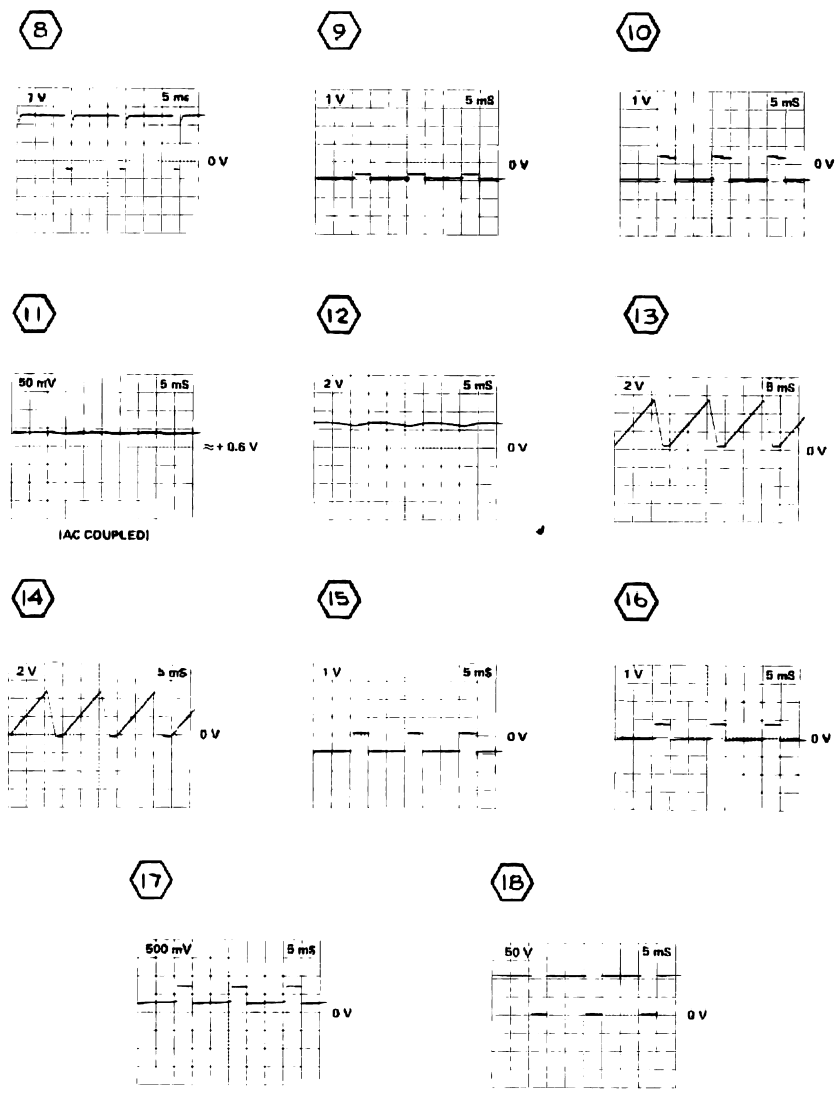
VOLTAGES and WAVEFORMS obtained under conditions given at the front of this section except as follows:
 WAVEFORMS ONLY:
 VOLTS/DIV 5 DIV CAL
 Test oscilloscope externally triggered from CAL OUT terminal.



+ TYPE 324

①

RMG 0570
 TRIGGER GENERATOR ①

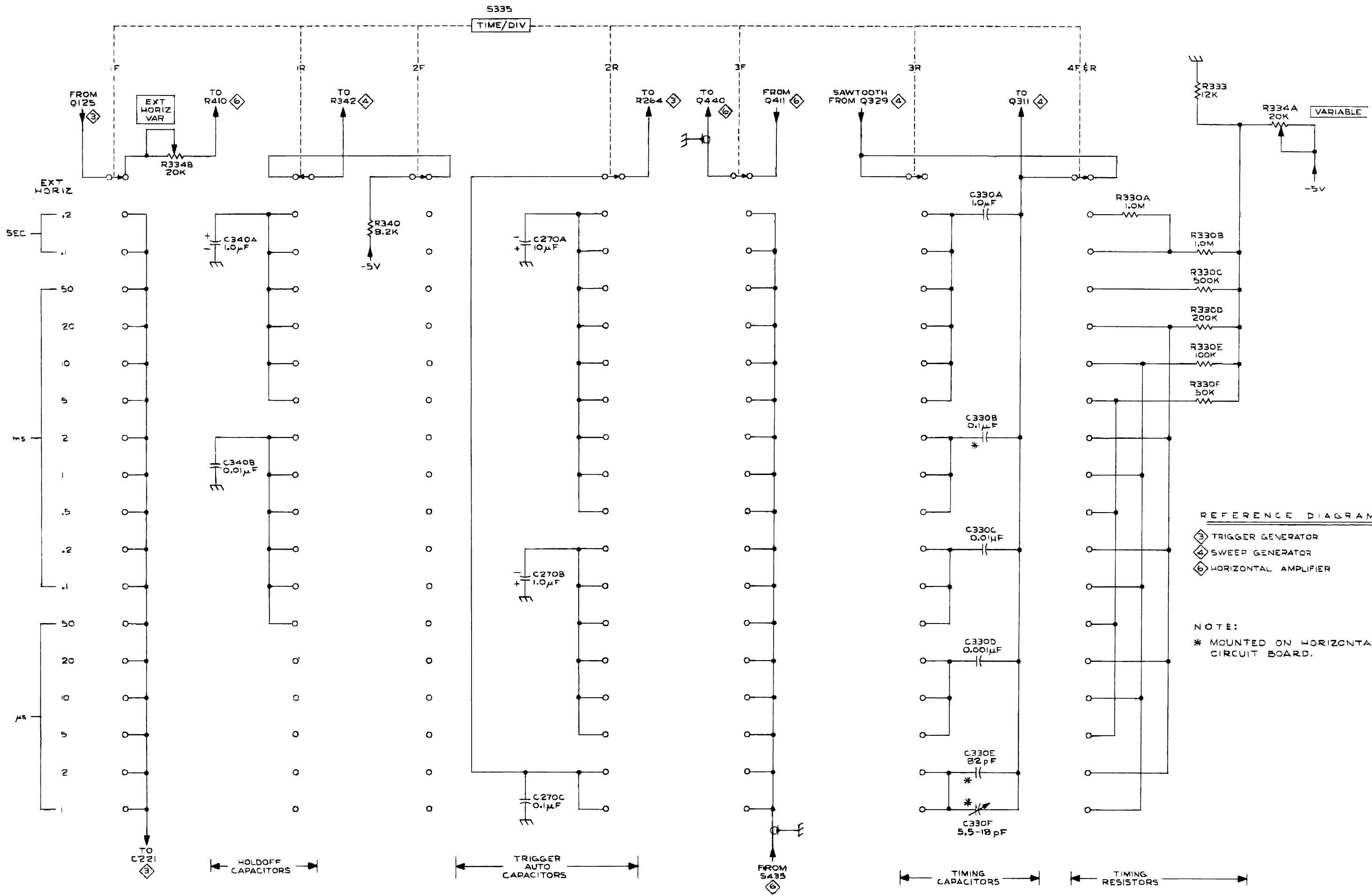


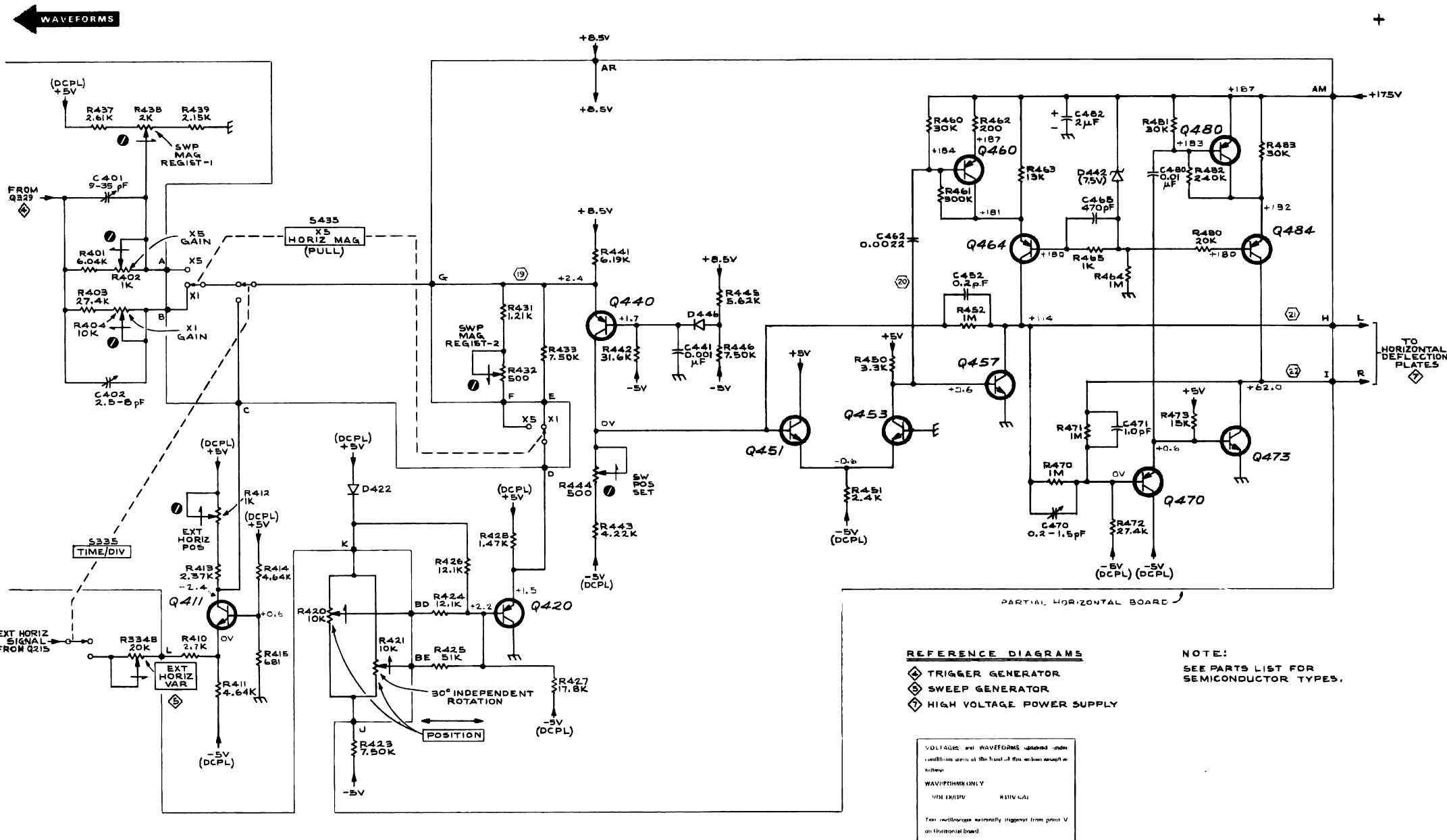
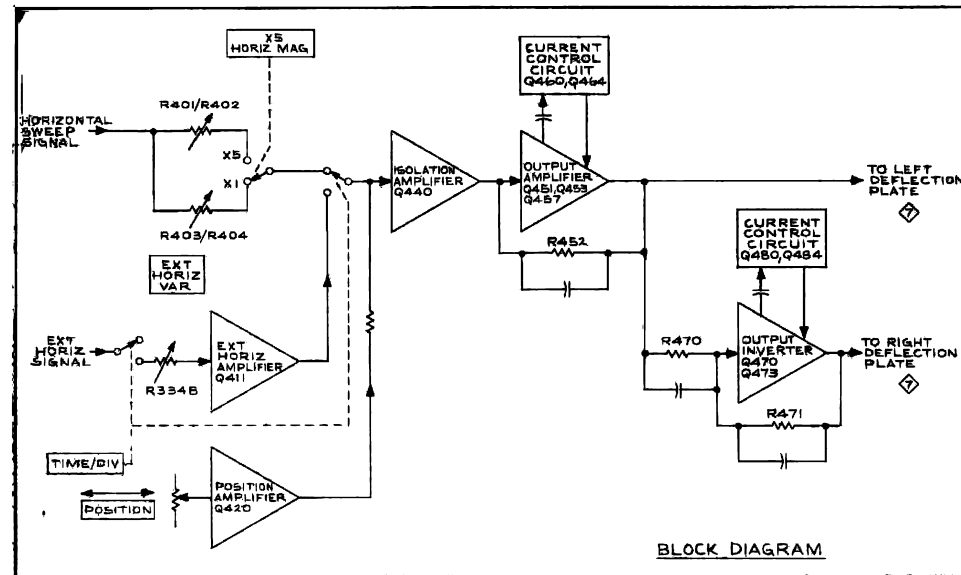
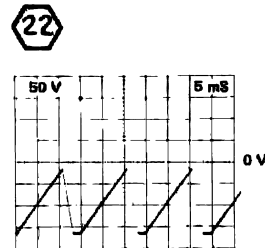
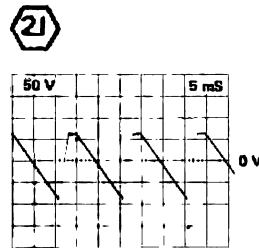
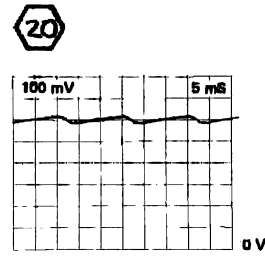
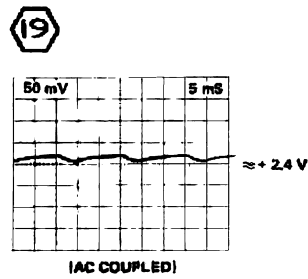
TYPE 324

NOTE:
SEE PARTS LIST FOR SEMICONDUCTOR TYPES.
REFERENCE DIAGRAMS:
 ◆ VERTICAL OUTPUT AMPLIFIER
 ◆ TRIGGER GENERATOR
 ◆ TIMING SWITCH
 ◆ HORIZONTAL AMPLIFIER
 ◆ POWER REGULATOR & CRT

VOLTAGES and WAVEFORMS obtained under conditions given at the front of this section except as follows:
 WAVEFORMS ONLY:
 VOLTS/DIV 5 DIV CAL
 Test oscilloscope externally triggered from point V on Horizontal board.

GRS 0570
SWEEP GENERATOR ◆





- REFERENCE DIAGRAMS**
- ◇ TRIGGER GENERATOR
 - ◇ SWEEP GENERATOR
 - ◇ HIGH VOLTAGE POWER SUPPLY

VOLTAGES and WAVEFORMS shown under condition apply at the front of the actual circuit unless indicated otherwise.

WAVEFORMS ONLY

100:100V 100V:100

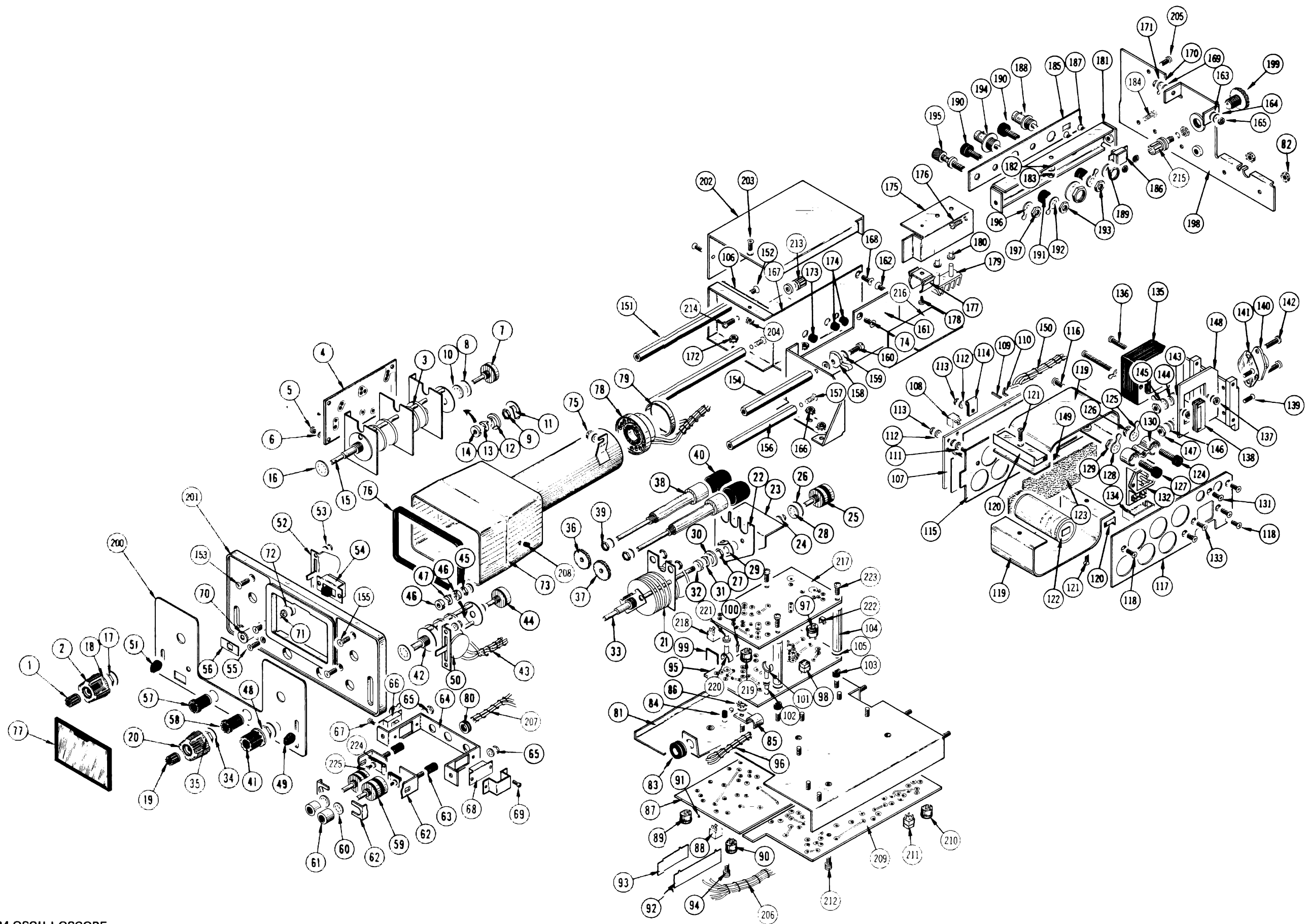
For voltages normally supplied from pins V on horizontal board.

NOTE:
SEE PARTS LIST FOR SEMICONDUCTOR TYPES.

TYPE 324

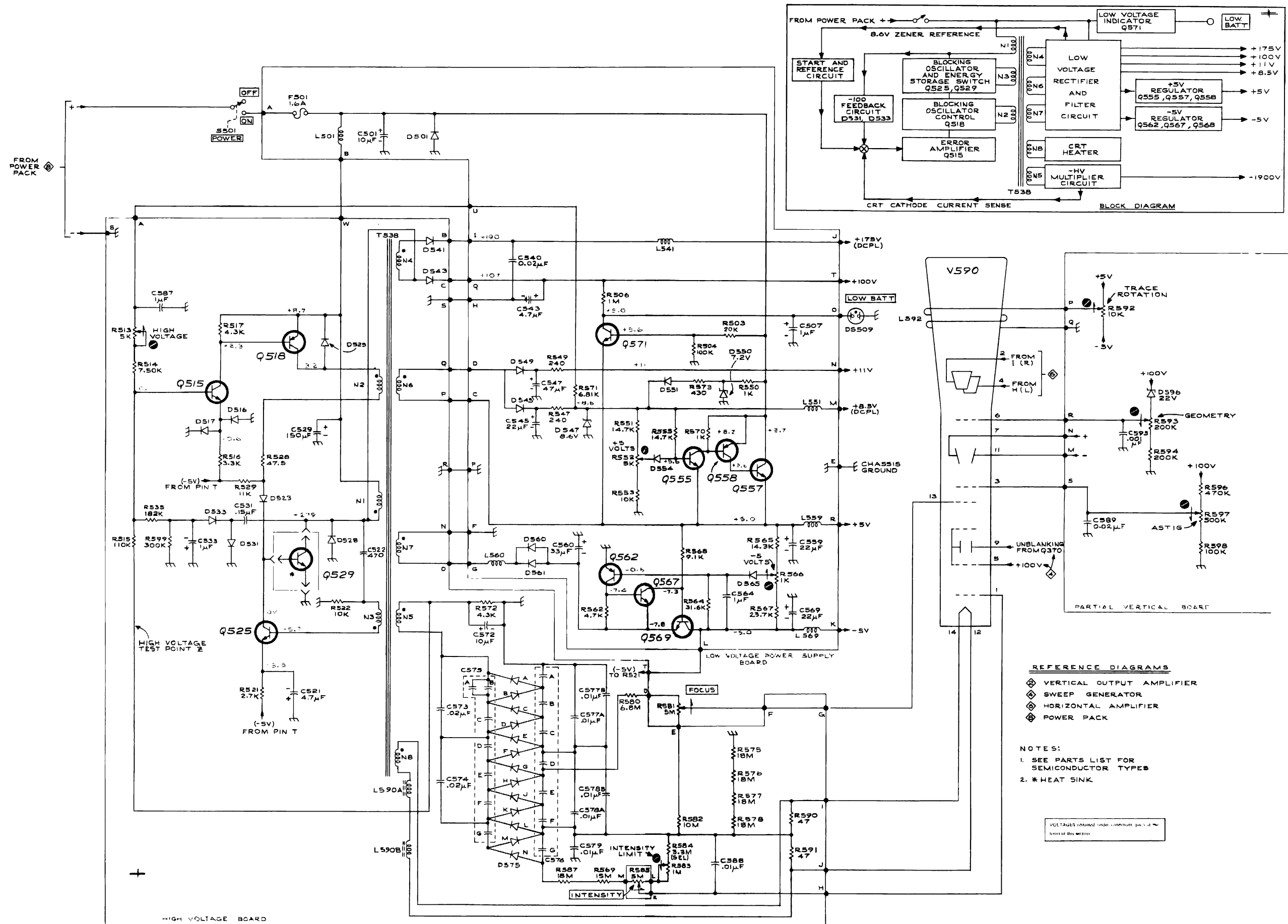
RM6 0570
HORIZONTAL AMPLIFIER

+



324 OSCILLOSCOPE

+



TYPE 324

ⓐ

POWER REGULATOR & CRT CIRCUIT

VR5
0570

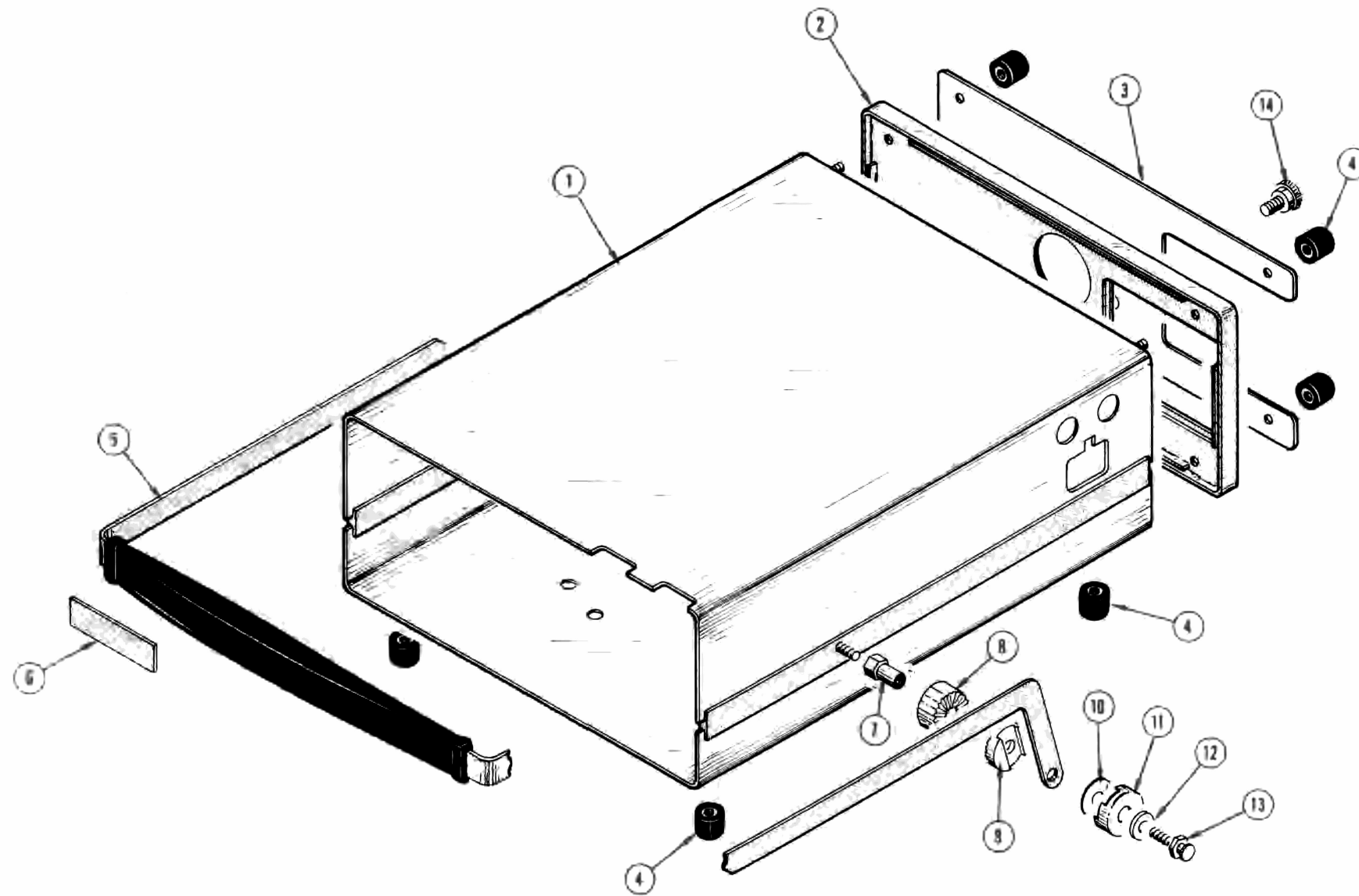
UNI CIRCUIT

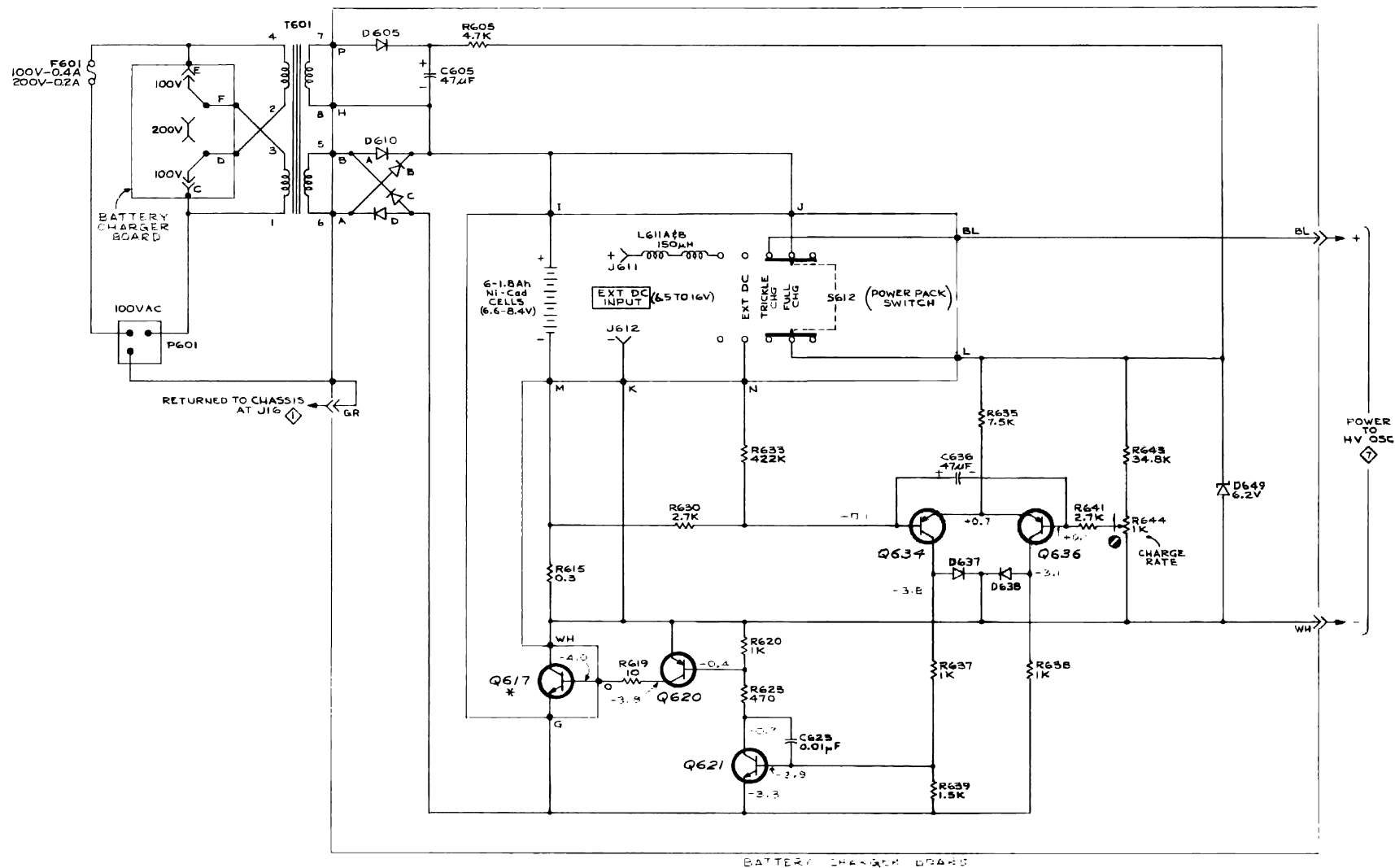
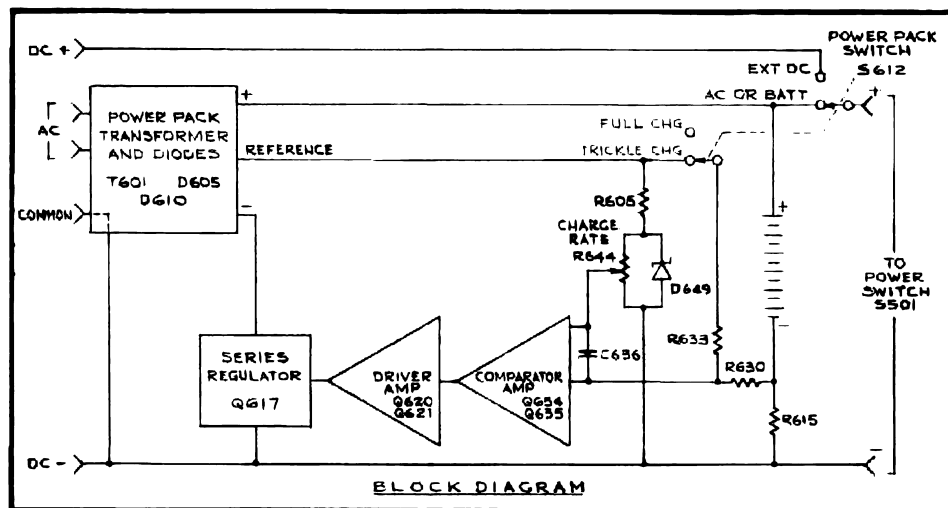
- REFERENCE DIAGRAMS**
- ⓐ VERTICAL OUTPUT AMPLIFIER
 - ⓑ SWEEP GENERATOR
 - ⓒ HORIZONTAL AMPLIFIER
 - ⓓ POWER PACK

- NOTES:**
1. SEE PARTS LIST FOR SEMICONDUCTOR TYPES
 2. * HEAT SINK

VOLTAGES shown under component are at front of this board

+





- NOTES:
 1. SEE PARTS LIST FOR SEMICONDUCTOR TYPES
 2. * TRANSISTOR IS HEAT SINKED
- REFERENCE DIAGRAMS:
 ⬡ VERTICAL PREAMP
 ⬢ POWER REGULATOR & CRT

VOLTAGE: 100VAC
 CURRENT: 0.4A
 FROM: 100VAC
 TO: 100VAC
 100VAC

TYPE 324

Ⓐ

POWER PACK ⬢ MRH/gr 0570